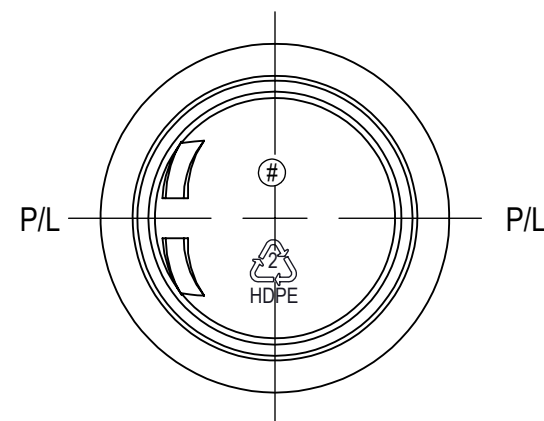
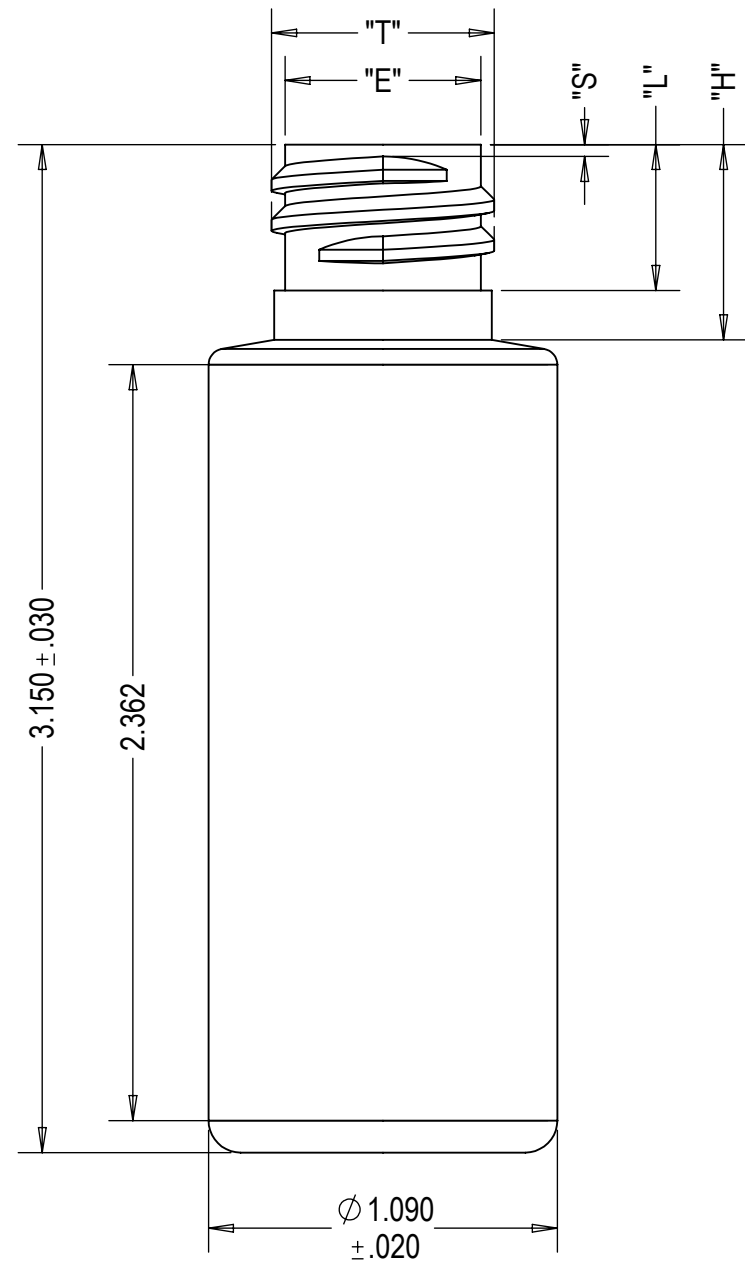


NO.	REV. BY	DESCRIPTION	DATE



BOTTLE SPECIFICATIONS			
MATERIAL: HDPE	FILL CAPACITY: 30 ML ± 2ML		
WEIGHT: 6.5g ± 0.5g	O/F CAPACITY: 34 ML ± 2ML		
NECK SPECIFICATIONS			
FINISH	18-410 SP	"L" DIM.	.456
STYLE	M	"W" DIM.	N/A
"T" DIM.	Ø .696 ± .010	HELIX ANG.	N/A
"E" DIM.	Ø .612 ± .010	T.P.I	8
"I" DIM.	N/A	PITCH	.125
BEAD DIA.	N/A	CUTTER DIA.	N/A
"H" DIM.	.610 ± .015	THREAD TURNS	2
"S" DIM.	.037 ± .015		



DWN. BY: A.P	DATE: 01/10/19	DESCRIPTION:	1 OZ CYLINDER
APR. BY:	DATE:	DRAWING NO.:	
SCALE: 1:1			