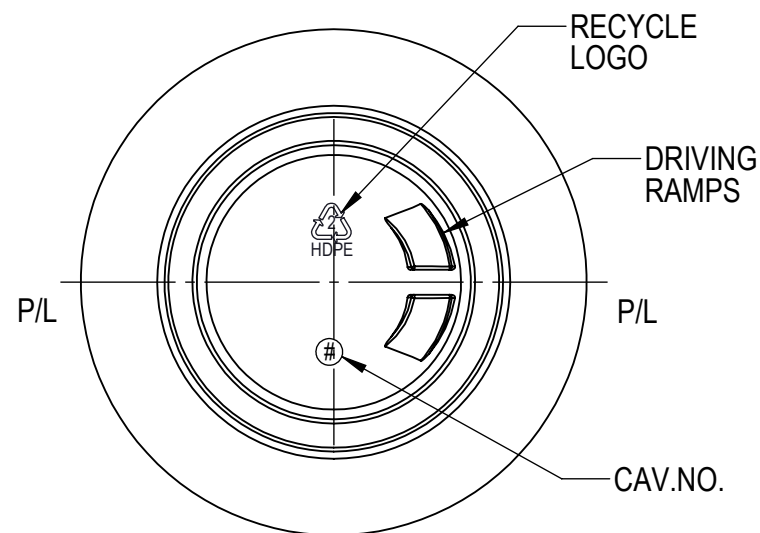
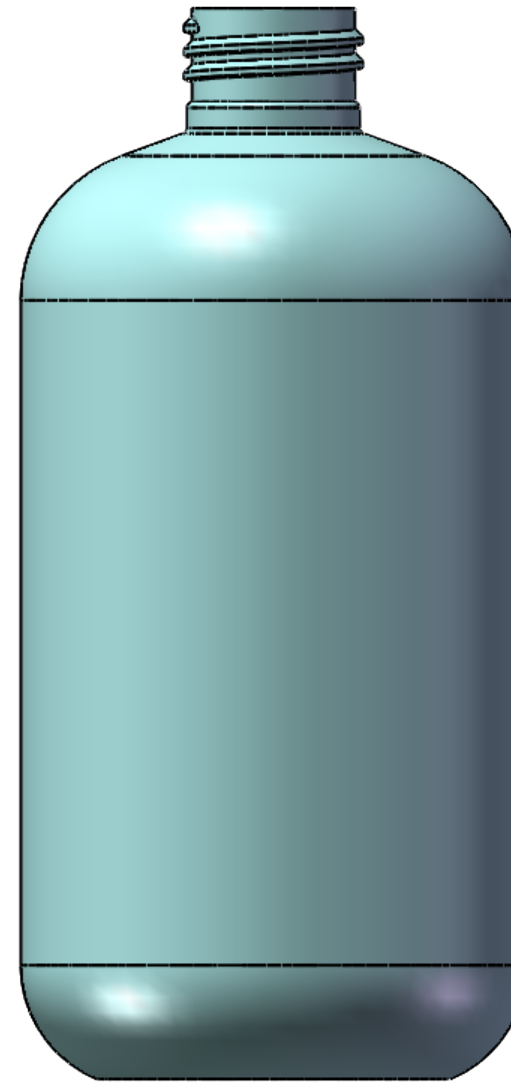
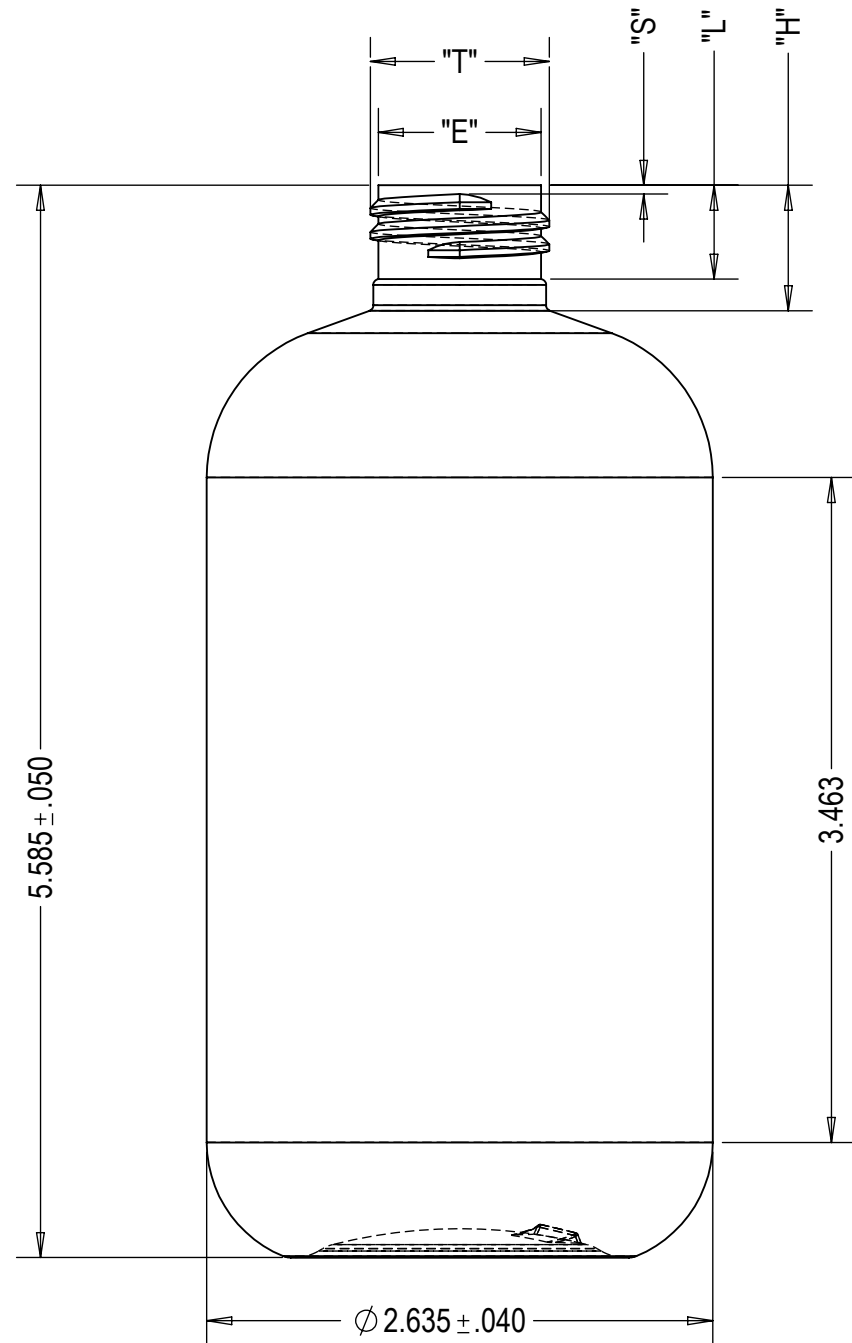


NO.	REV. BY	DESCRIPTION	DATE



BOTTLE SPECIFICATIONS			
MATERIAL: HDPE	FILL CAPACITY: 355ML $\pm$ 9 / 12 OZ $\pm$ .30		
WEIGHT: 28g $\pm$ 2g	O/F CAPACITY: 385 ML $\pm$ 9 / 13 OZ $\pm$ .30		
NECK SPECIFICATIONS			
FINISH	24 SP410	"L" DIM.	.512 MIN
STYLE	M	"W" DIM.	N/A
"T" DIM.	$\phi .932 \pm .010$	HELIX ANG.	2°34'
"E" DIM.	$\phi .848 \pm .010$	T.P.I	8
"I" DIM.	N/A	PITCH	.125
BEAD DIA.	N/A	CUTTER DIA.	.375
"H" DIM.	.646 $\pm$ .015	THREAD TURNS	2
"S" DIM.	.046 $\pm$ .015		



DWN. BY: A.P	DATE: 10/25/22	DESCRIPTION: 12 OZ BOSTON ROUND
APR. BY:	DATE:	DRAWING NO.: C93-4330-1-1A
SCALE: 1:1		