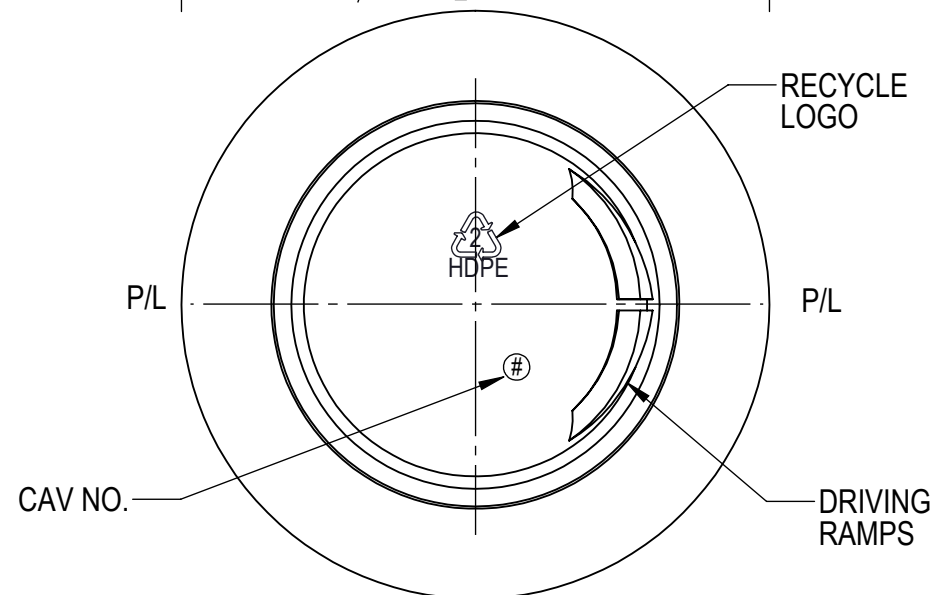
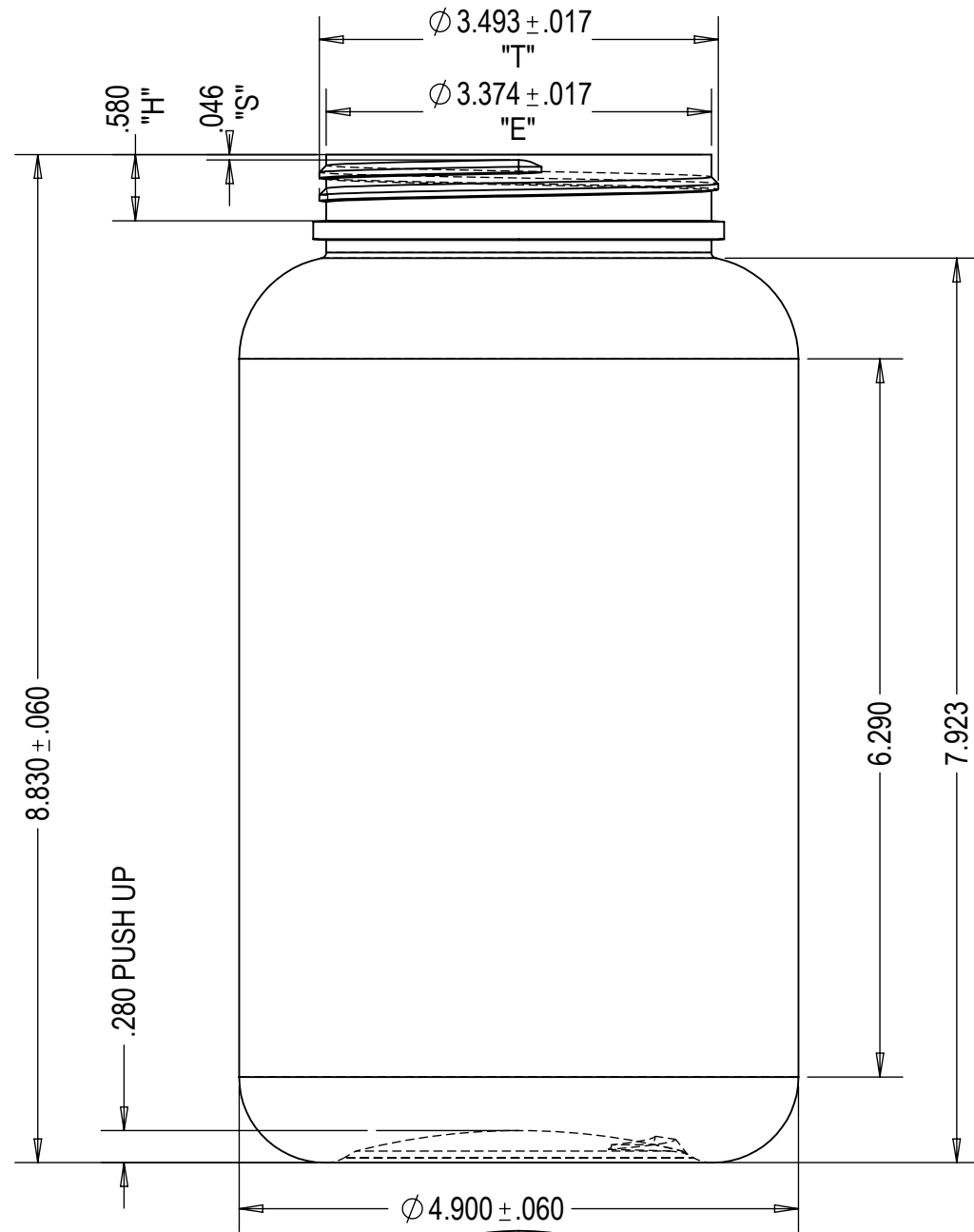


NO.	REV. BY	DESCRIPTION	DATE



BOTTLE SPECIFICATIONS			
MATERIAL: HDPE	FILL CAPACITY: 2250 ML ± 30ML		
WEIGHT: 90g ± 3g	O/F CAPACITY: 2400 ML ± 30ML		
NECK SPECIFICATIONS			
FINISH	89 MM	"L" DIM.	N/A
STYLE	M	"W" DIM.	N/A
"T" DIM.	Ø 3.493 ± .017	HELIX ANG.	1 °4'
"E" DIM.	Ø 3.374 ± .017	T.P.I	5
"I" DIM.	N/A	PITCH	.200
"D" DIA.	N/A	CUTTER DIA.	.500
"H" DIM.	.580 ± .015	THREAD TURNS	1.5
"S" DIM.	.046 ± .015		



DWN. BY: A.P	DATE: 13 FEB 2025	DESCRIPTION: 2.25 LT JAR
APR. BY:	DATE:	DRAWING NO.: 1A
SCALE: 1:1		