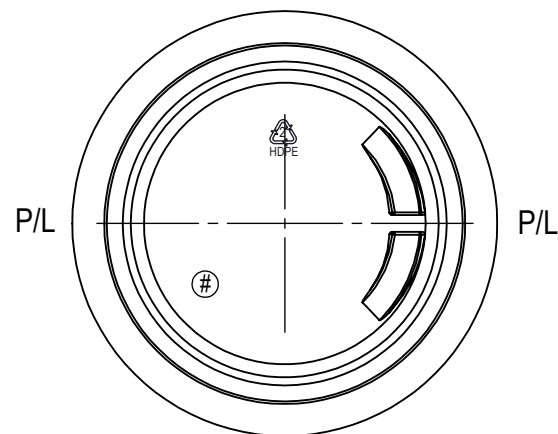
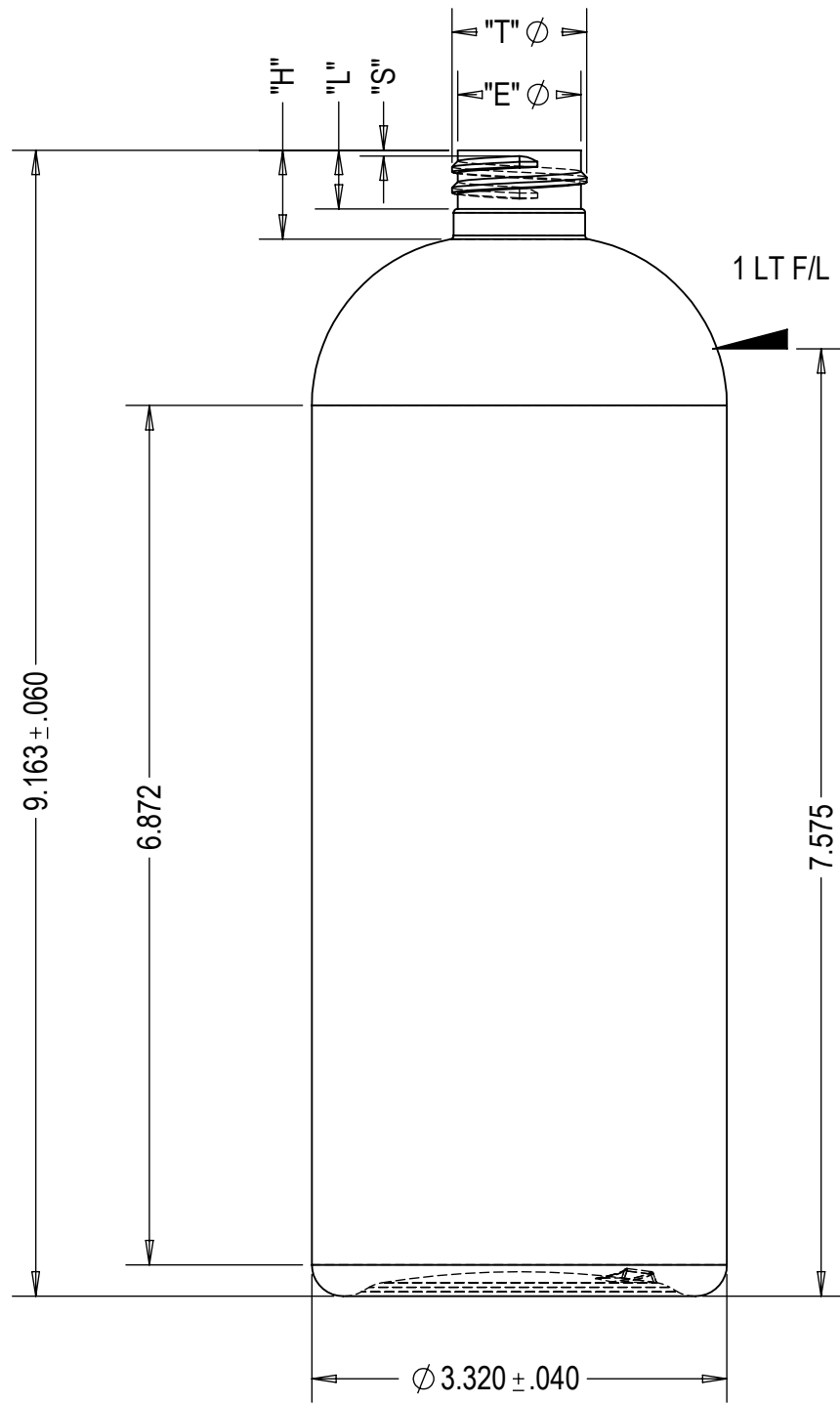


NO.	REV. BY	DESCRIPTION	DATE



BOTTLE SPECIFICATIONS			
MATERIAL: HDPE	FILL CAPACITY: 1000 ML \pm 20ML		
WEIGHT: 60g \pm 2g	O/F CAPACITY: 1080 ML \pm 20ML		
NECK SPECIFICATIONS			
FINISH	M28 SP410	"L" DIM.	.470
STYLE	M	"W" DIM.	N/A
"T" DIM.	$\phi 1.078 \pm .010$	HELIX ANG.	2°57'
"E" DIM.	$\phi .984 \pm .010$	T.P.I	6
"I" DIM.	N/A	PITCH	.167
BEAD DIA.	N/A	CUTTER DIA.	.500
"H" DIM.	.708 \pm .015	THREAD TURNS	1.5
"S" DIM.	.046 \pm .015		



DWN. BY: A.P	DATE: 16/07/15	DESCRIPTION: 32 OZ / 1 LT BOSTON ROUND(8)
APR. BY:	DATE:	DRAWING NO.: C93-4113-1-1A
SCALE: 2:3		