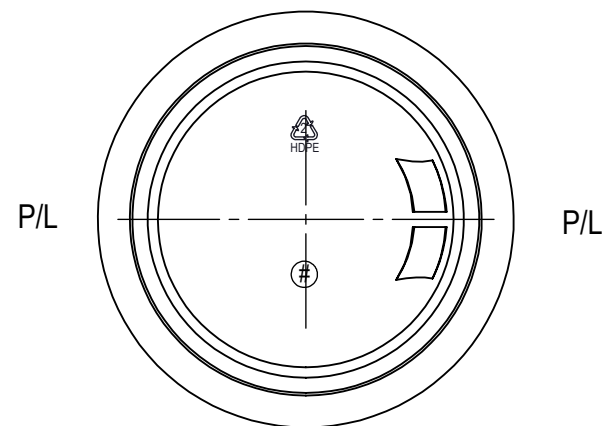
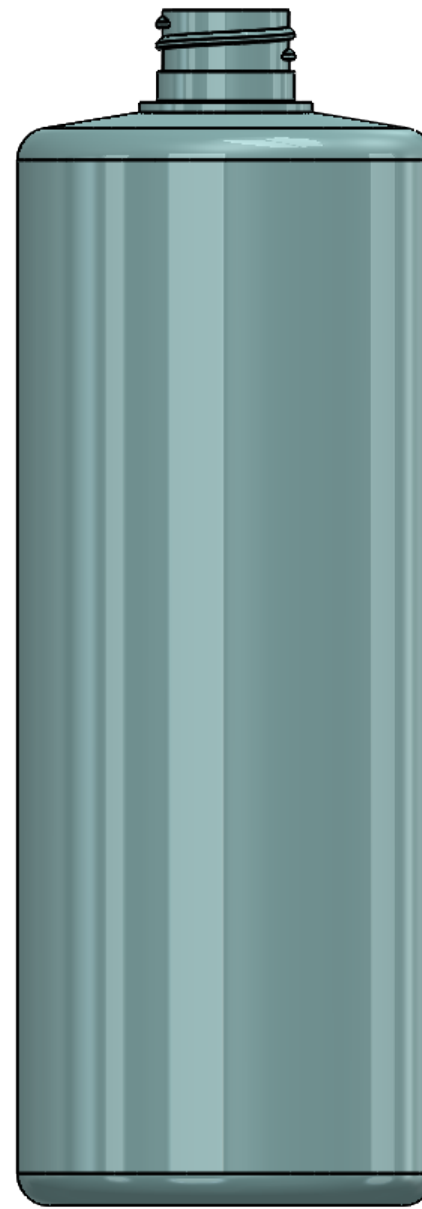
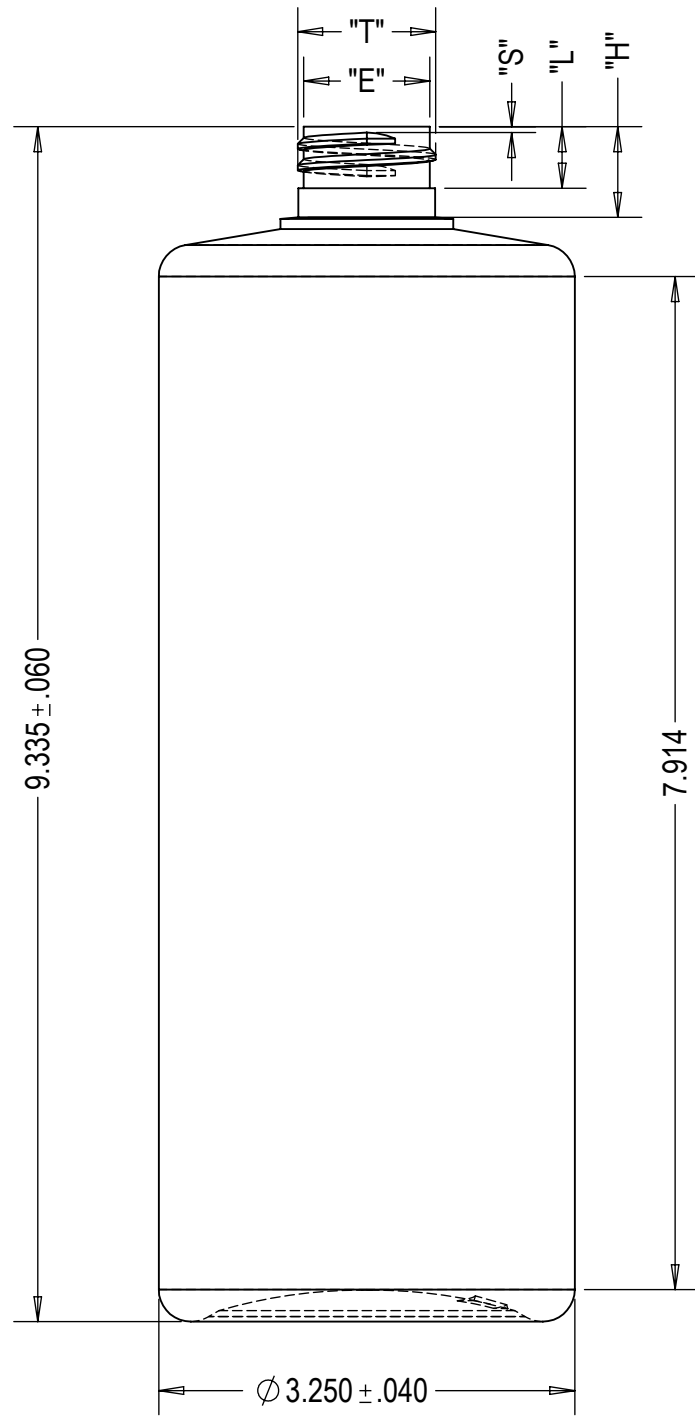


NO.	REV. BY	DESCRIPTION	DATE



BOTTLE SPECIFICATIONS			
MATERIAL: HDPE	FILL CAPACITY: 1123 ML \pm 20ML		
WEIGHT: 52g \pm 2.5g	O/F CAPACITY: 1097 ML \pm 20ML		
NECK SPECIFICATIONS			
FINISH	M28 SP410	"L" DIM.	.480
STYLE	M	"W" DIM.	N/A
"T" DIM.	$\phi 1.078 \pm .010$	HELIX ANG.	2°57'
"E" DIM.	$\phi .984 \pm .010$	T.P.I	6
"I" DIM.	N/A	PITCH	.167
BEAD DIA.	N/A	CUTTER DIA.	.500
"H" DIM.	$.708 \pm .015$	THREAD TURNS	1.5
"S" DIM.	$.046 \pm .015$		



DWN. BY: A.P	DATE: 12/18/18	DESCRIPTION: 38 OZ CYLINDER
APR. BY:	DATE:	DRAWING NO.:
SCALE: 2:3	CAV: 4	