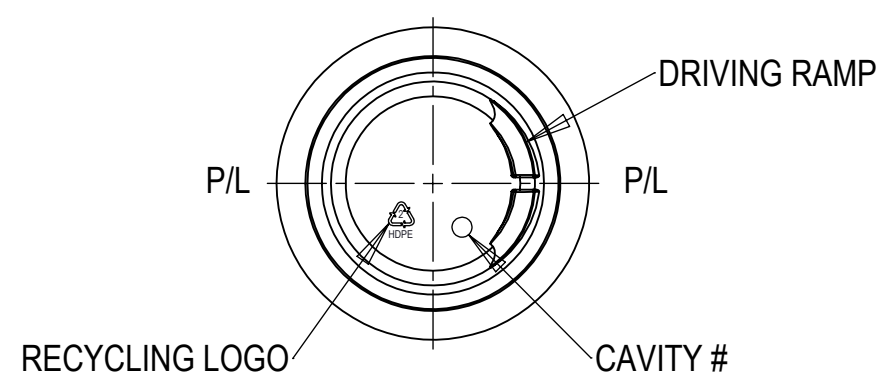
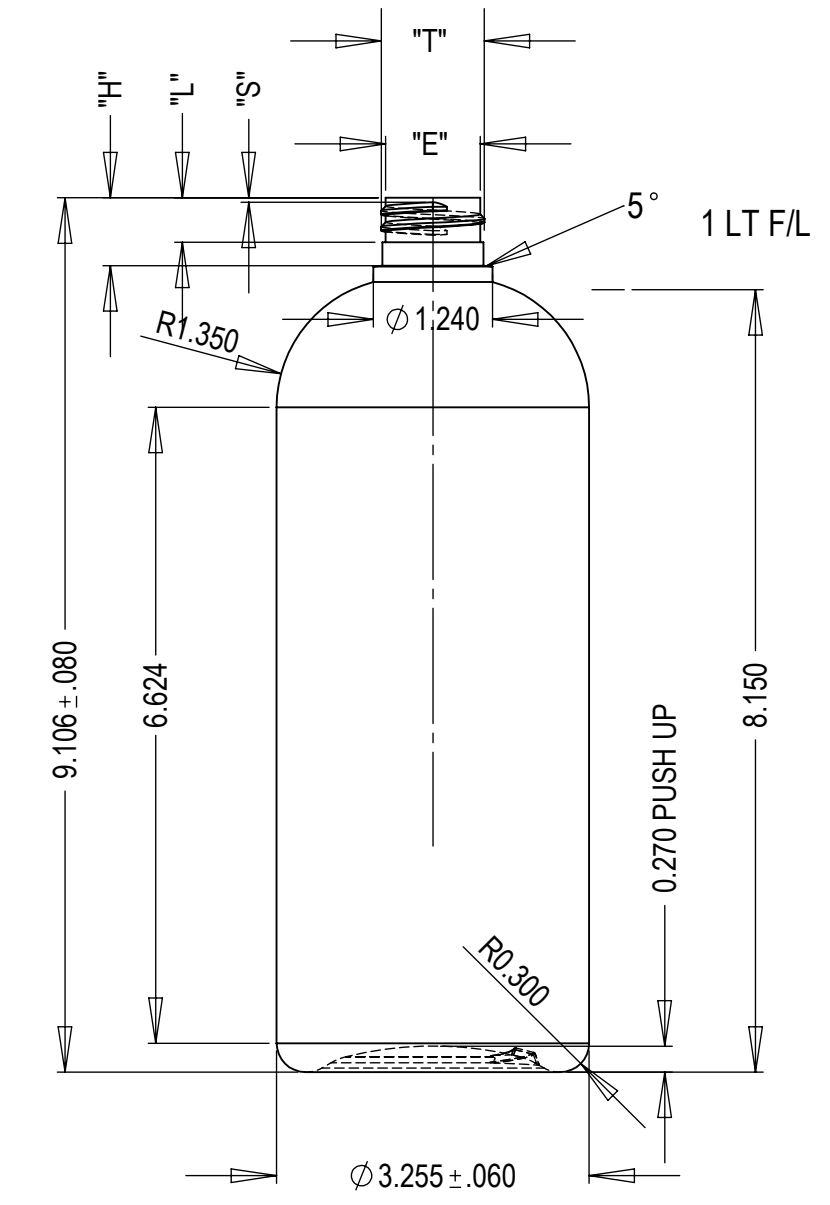


NO.	REV. BY	DESCRIPTION	DATE
△			



NOTE;

- ALL DIMENSIONS ARE TO BE IN INCHES UNLESS SPECIFIED.
- ALL RADS & FILLETS ARE 1/64 R. MIN. UNLESS OTHERWISE SPECIFIED.
- ALL DIMENSION & FILL CAPACITIES CONFORM TO S.P.I. STANDARDS.
- NECK DETAIL WILL BE PROVIDED BY CUSTOMER.

- BODY SIZES SHOWN ARE REPRESENTATIVE OF MEAN DIMENSIONS ONLY. FINAL PRODUCT SIZES ARE TO BE DETERMINED FROM ACTUAL PLASTIC SAMPLES.
- ALL DIMENSIONS AND TOLERANCES CONFORM TO S.P.I. STANDARDS WHERE APPLICABLE.
- THIS DRAWING MAY NOT BE REPRODUCED IN ANY FORM, FOR ANY PURPOSE, UNLESS WRITTEN CONSENT IS GIVEN BY BLOW MOULD ENGINEERING.
- BLOW MOULD ENGINEERING WILL NOT BE RESPONSIBLE FOR THE FUNCTIONALITY OF THE PART. ALL DRAWINGS MUST BE APPROVED BY THE CUSTOMER BEFORE PRODUCTION OF THE MOULD BEGINS.

BOTTLE SPECIFICATIONS			
MATERIAL: HDPE	FILL CAPACITY: 1000 ML ± 15ML		
WEIGHT: 53g ± 3g	O/F CAPACITY: 1017 ML ± 15ML		
NECK SPECIFICATIONS			
FINISH	M28 SP410	"L" DIM.	.463
STYLE	M	"W" DIM.	N/A
"T" DIM.	Ø 1.078 ± .010	HELIX ANG.	2°57'
"E" DIM.	Ø .984 ± .010	T.P.I	6
"I" DIM.	N/A	PITCH	.167
BEAD DIA.	N/A	CUTTER DIA.	.500
"H" DIM.	.708 ± .015	THREAD TURNS	1.5
"S" DIM.	.046 ± .015		
BLOW MOULD ENGINEERING			
DWN. BY: A.P	DATE: 04/14/16	DESCRIPTION: 1 LT BOSTON ROUND OLD	
APR. BY:	DATE:	DRAWING NO.:	
SCALE: 1:2			