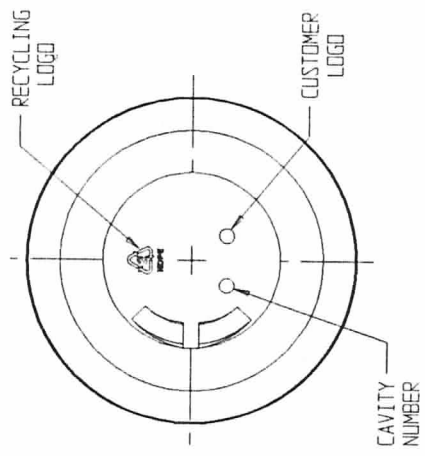
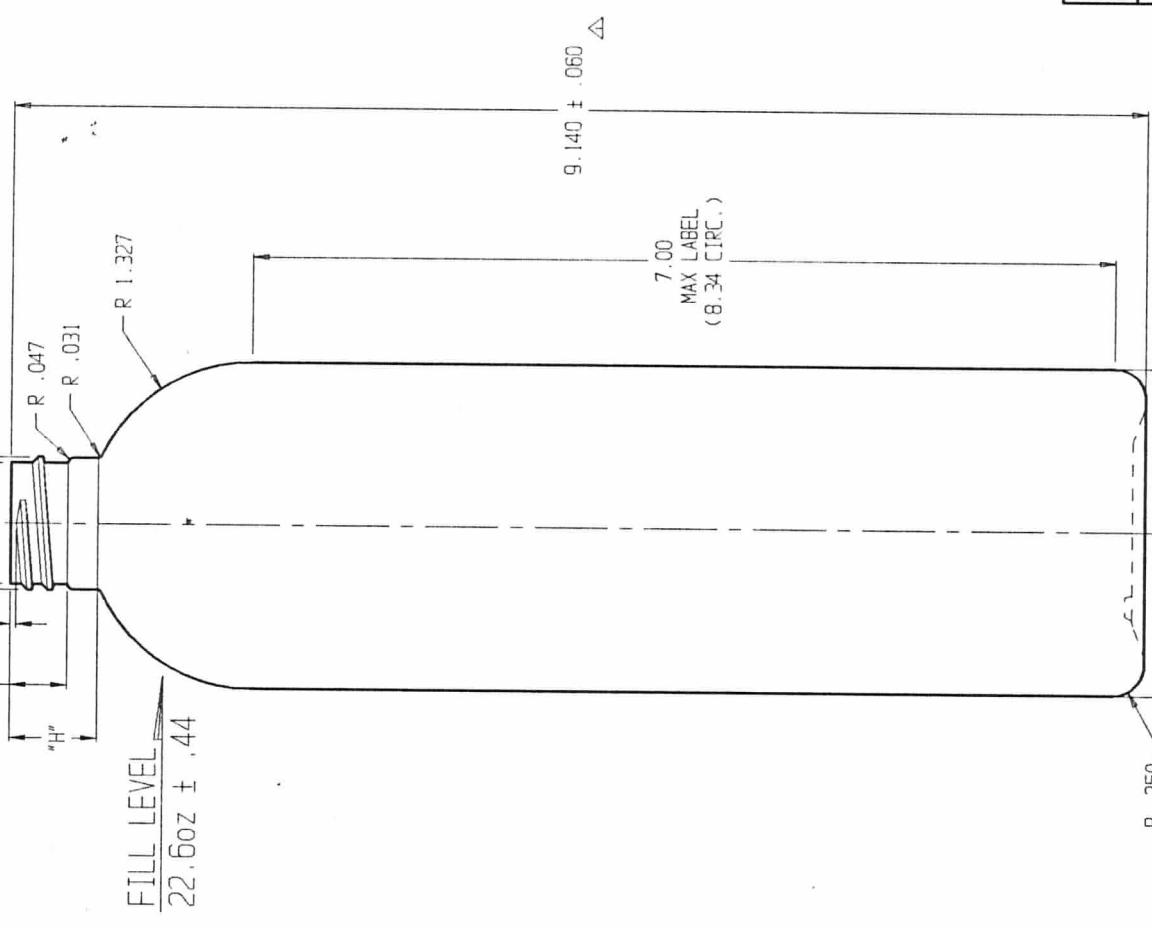


Neck Finish	11" P	12" E	14" H	15" S	16" T	17" U	18" V	19" W	20" X	21" Y	22" Z
M28mm SP&LD	1.078 ± .01	1.984 ± .01	2.046 ± .015	2.708 ± .015	3.1015	3.14	3.18	3.22	3.26	3.30	3.34



**BLOW MOULD ENGINEERING**

DESC: 22.6oz BOSTON ROUND  
 S/D# A05-2111-1B-P  
 ALL TOLERANCES S.P.I.

NUMBER	WAS 1.19	REVISED	NOV 1/96
MATERIAL:	HOPE	SCALE:	DATE
WEIGHT:	45g	SCALE:	NOV 1, 1996
FILL LEVEL:	22.6oz(688.37ml)	DRAWN BY:	ADIEL
D/F CAPACITY:	1.693 l	APPROVED BY:	

NOV 1/96	DATE
NOV 1, 1996	DATE
ADIEL	APPROVED BY: